

# **MACHINE PARTS CHART**

## **for**

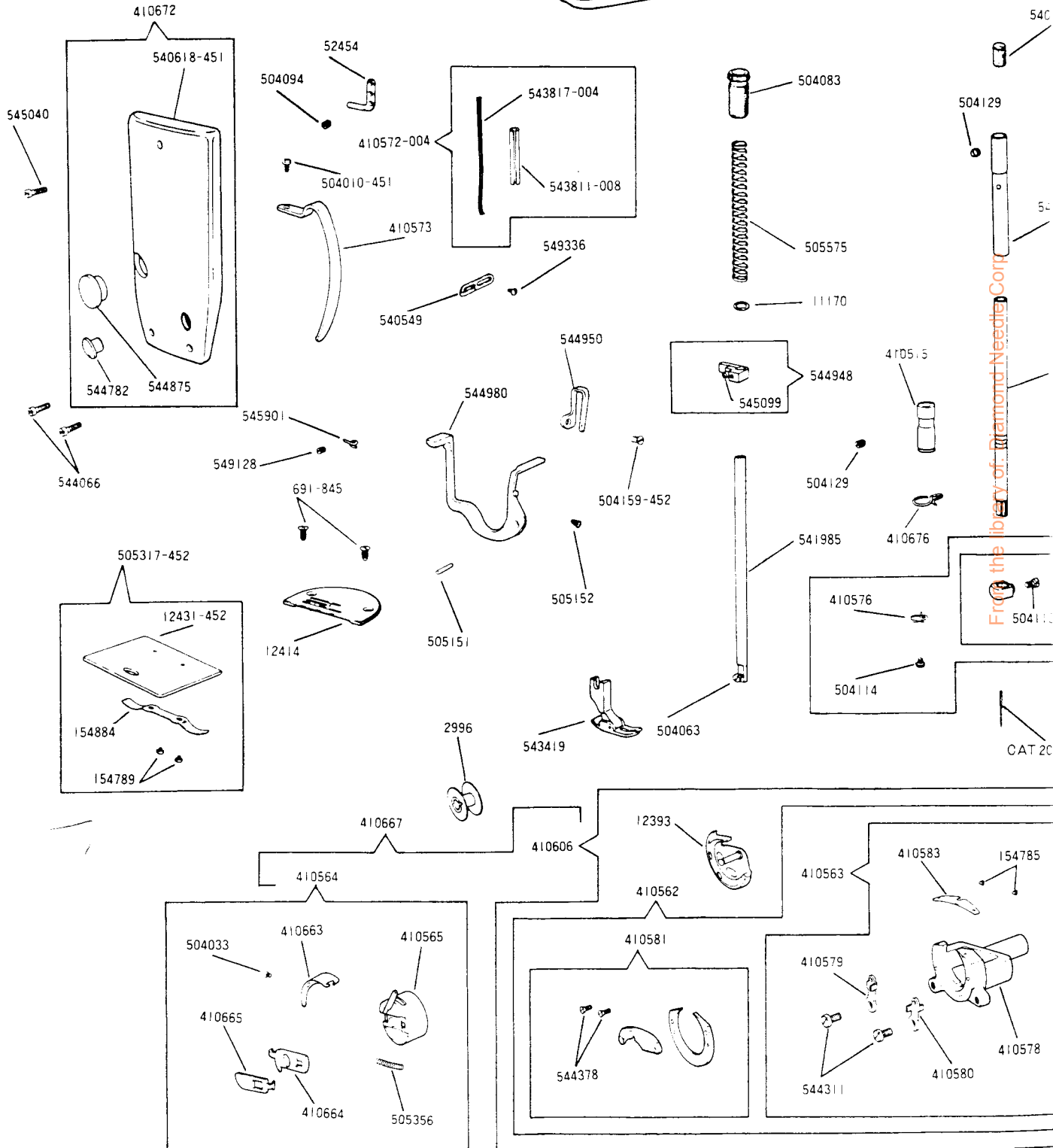
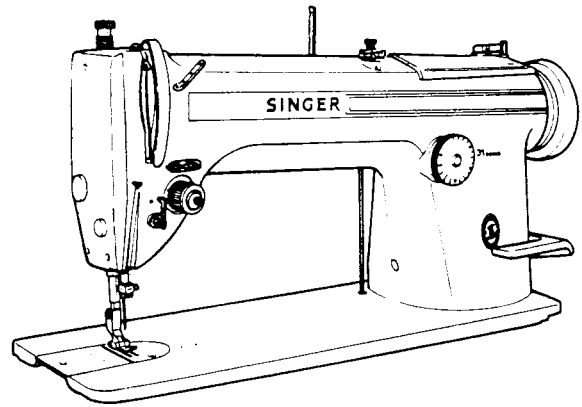
# **SINGER\***

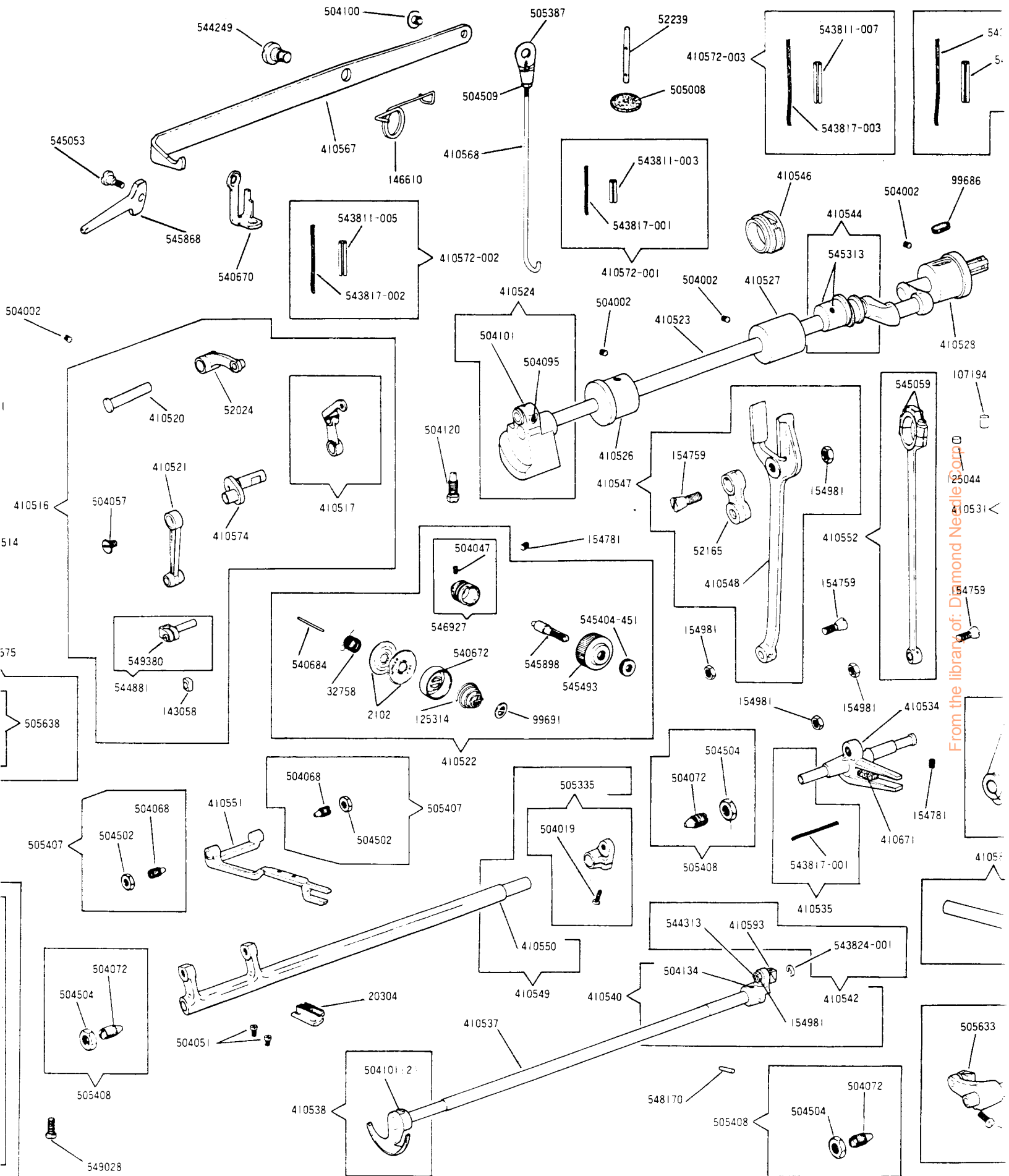
**431** D200A

**431** D201A

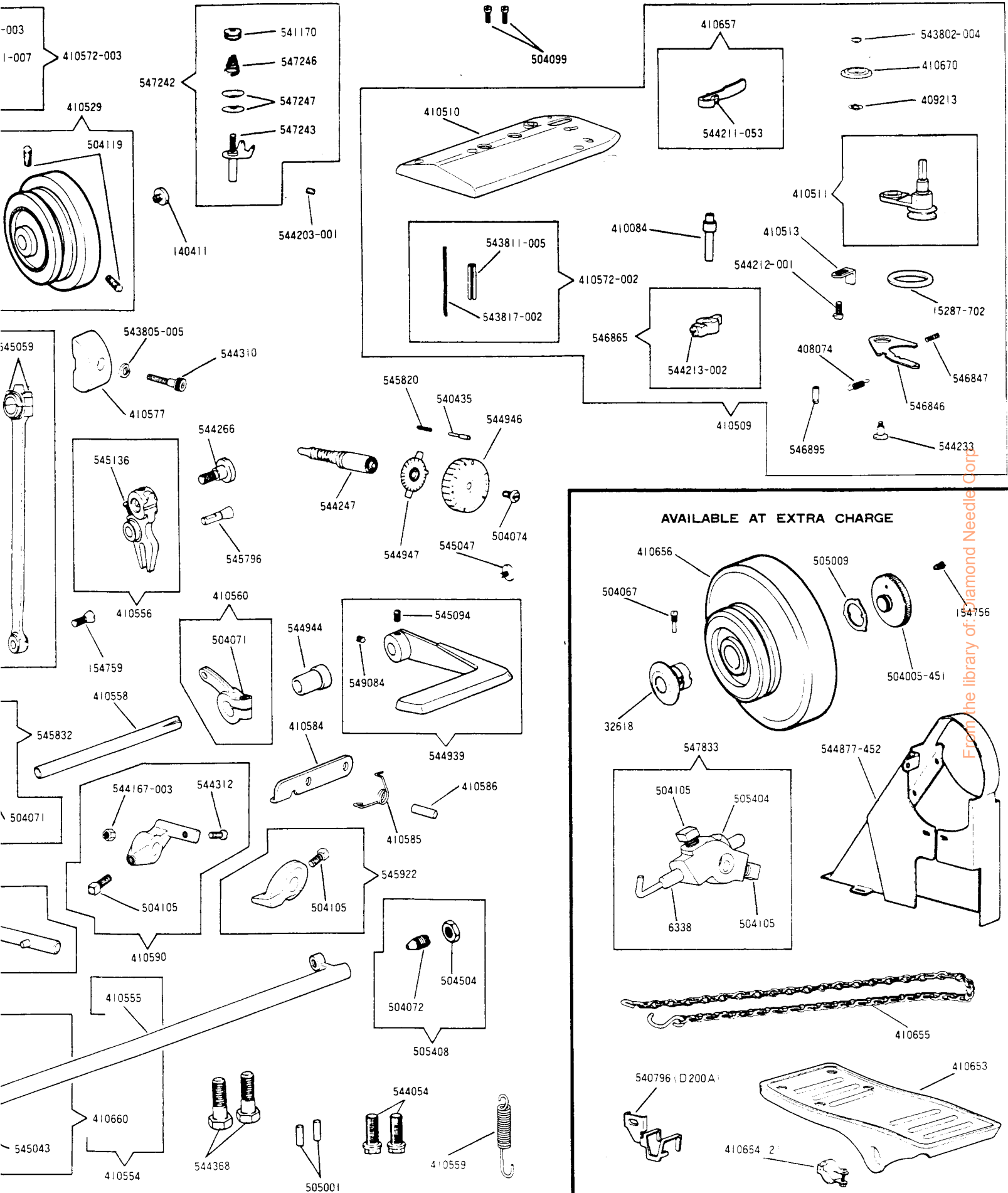
# SINGER\*

## 431 D200A

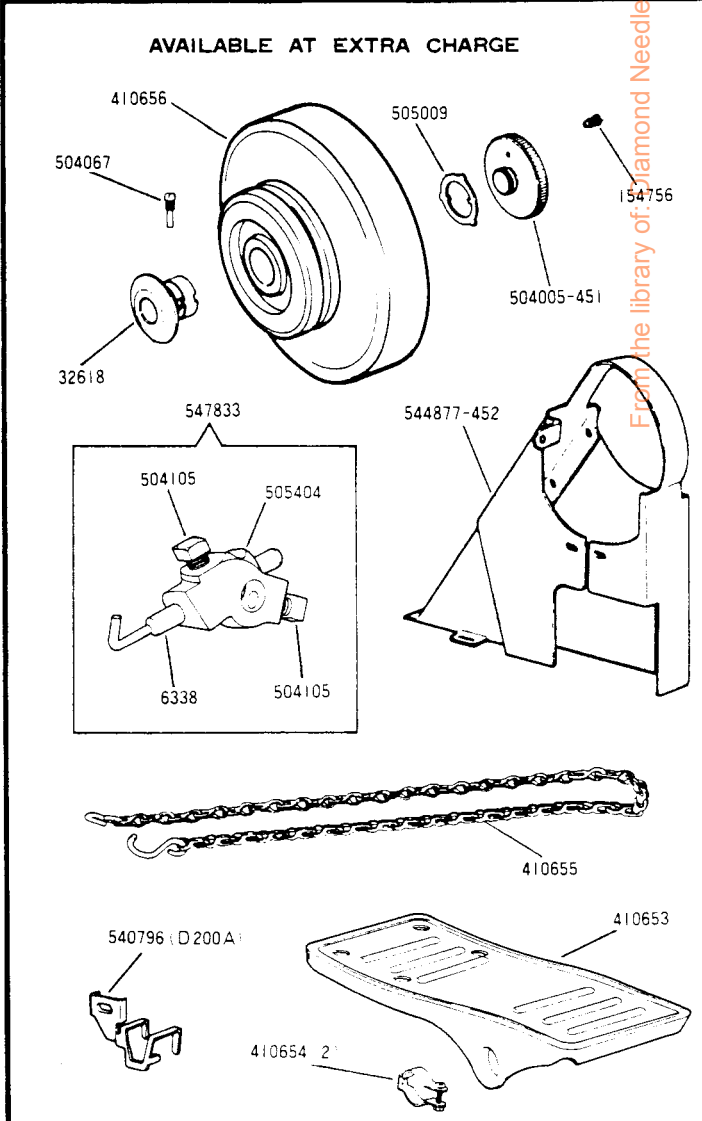




From the library of: **Diamond Needle Corp.**

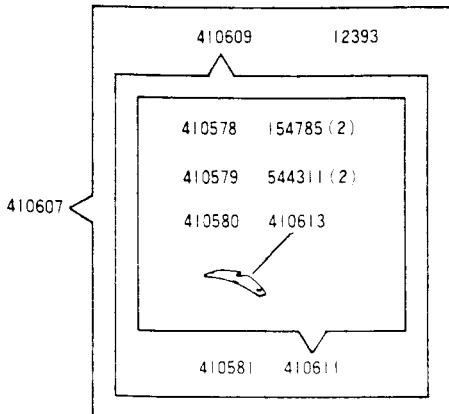
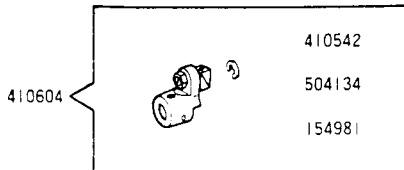
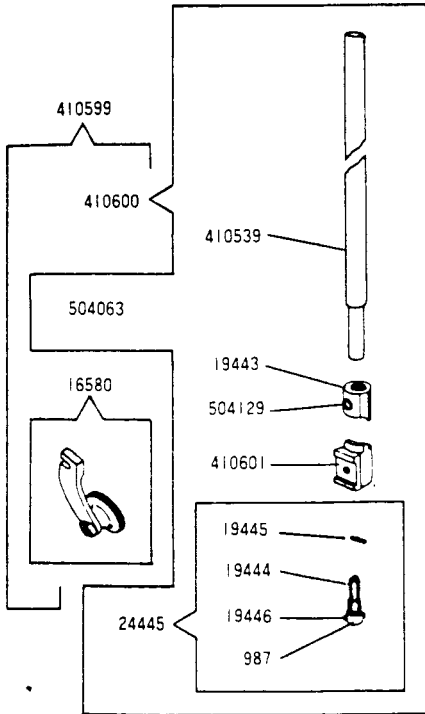
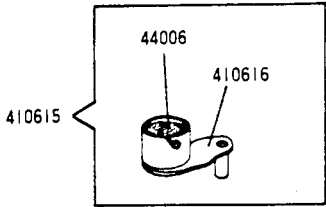


**AVAILABLE AT EXTRA CHARGE**

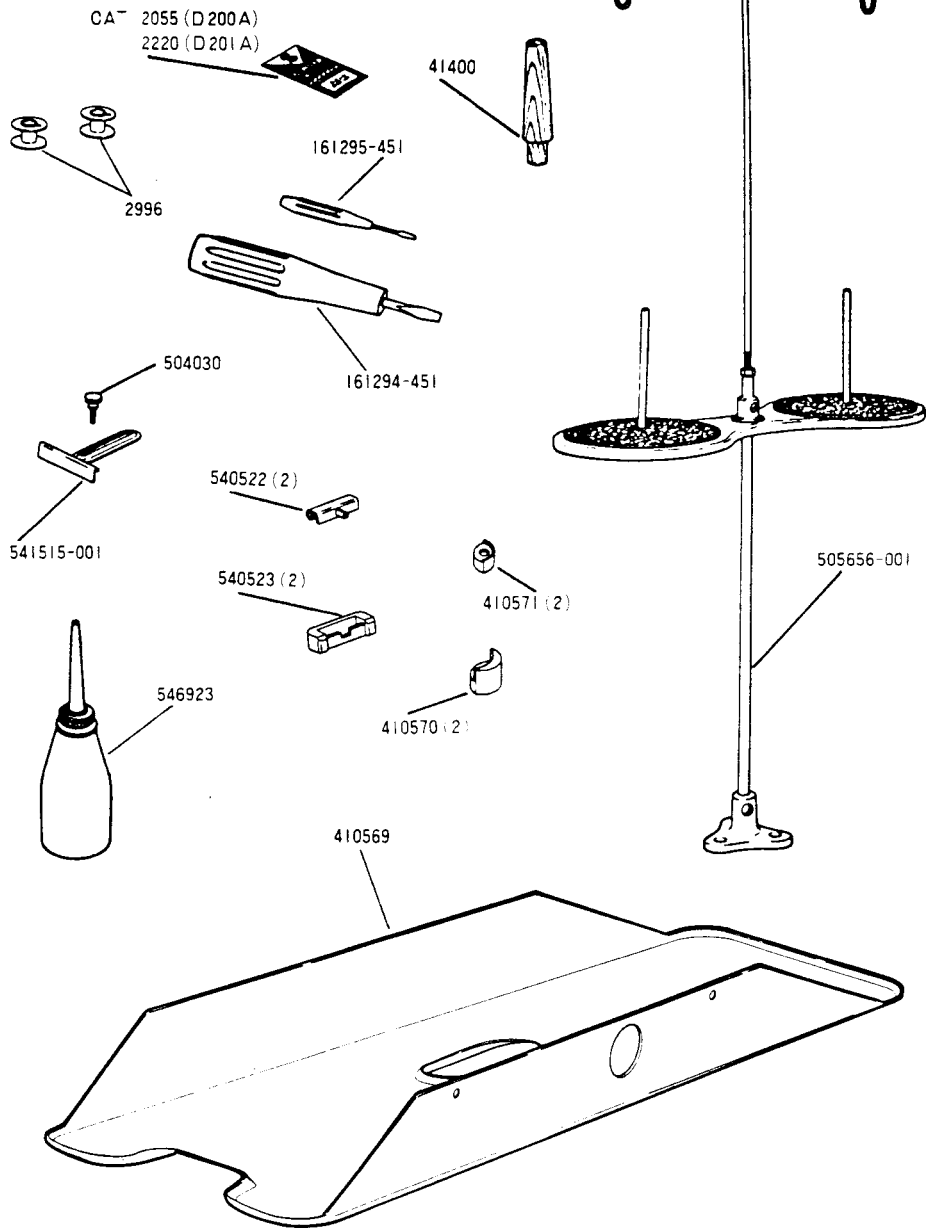


From the library of Diamond Needle Corp.

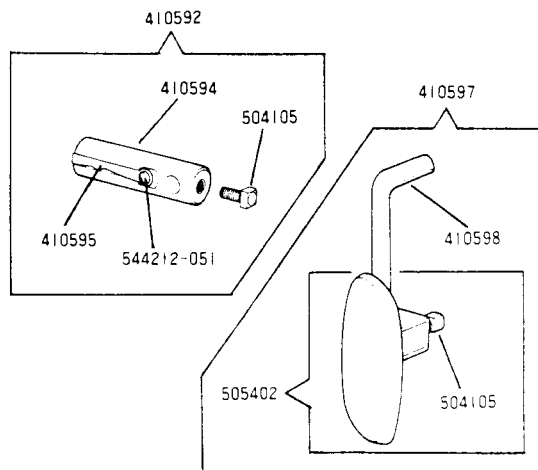
**PARTS FOR 431D201A MACHINE  
WHICH DIFFER FROM  
431D200A MACHINE**



**ACCESSORIES AND ATTACHMENTS**



**KNEE LIFTER PARTS**



**NUMERICAL LIST OF PARTS FOR MACHINE 431D200A**

PART NO.	DESCRIPTION	PART NO.	DESCRIPTION
691-845	Throat Plate Screw (2)	410555	Feed Lifting Rock Shaft
2102	Tension Disc (2)	410556	Feed Regulator with 545136
2996	Shuttle Bobbin	410555	Feed Reverse Lever Hinge Stud
11170	Presser Bar Spring Washer	410559	Feed Reverse Lever Spring
12393	Shuttle Body	410560	Feed Reverse Lever Spring Retainer with 504071
12414	Throat Plate	410562	Shuttle Race Complete, Nos. 410563 and 410581
12431-452	Bed Slide	410563	Shuttle Race Body Complete, Nos. 410578, 410579, 410580, 410583 and two each 154785 and 544311
15287-702	Bobbin Winder Pulley Friction Ring	410564	Shuttle Bobbin Case Complete, Nos. 410565, 410663, 410664, 410665, 504033 and 505356
154981	Oscillating Shaft Crank Slide Block Screw Stud Nut	410565	Shuttle Bobbin Case and Shuttle Bobbin Case Position Finger Complete
20304	Feed Dog	410567	Presser Bar Lifting Lever
32758	Thread Take-up Spring	410568	Presser Bar Lifting Lever Connecting Rod
52024	Thread Take-up Lever Link	410572-001	Thread Take-up Lever Oil Pipe 543811-003 with 543817-001
52165	Feed Connecting Link	410572-002	Feed Forked Connection Oil Pipe 543811-005 with 543817-002
52239	Arm Spool Pin and Thread Eyelet	410572-002	Thread Take-up Lever Link Oil Pipe 543811-005 with 543817-002
52454	Thread Retainer	410572-003	Arm Shaft Bushing (center) Oil Pipe 543811-007 with 543817-003
99686	Arm Shaft Flanged Bushing (back) Oil Pad (felt)	410572-003	Arm Shaft Flanged Bushing (front) Oil Pipe 543811-007 with 543817-003
99691	Tension Regulating Thumb Nut Washer	410572-004	Thread Take-up Crank Oil Pipe 543811-008 with 543817-004
107194	Crank Connecting Rod Cap Oil Pad (felt)	410573	Thread Take-up Lever Guard
125044	Feed Lifting Rock Shaft Crank Connecting Rod Oil Pad (felt)	410574	Thread Take-up Crank
125314	Tension Spring	410575	Needle Bar Thread Guard and Needle Clamp Complete, Nos. 410576, 504114 and 505638
140411	Arm Shaft Screw	410576	Needle Bar Thread Guard
143055	Needle Bar Connecting Stud Slide Block	410577	Balance Weight
146610	Presser Bar Lifting Lever Spring	410578	Shuttle Race Body
154759	Crank Connecting Rod Hinge Screw	410579	Shuttle Race Gate Latch (left)
154759	Feed Connecting Link Hinge Screw	410580	Shuttle Race Gate Latch (right)
154759	Feed Forked Connection Hinge Screw	410581	Shuttle Race Gate (lower and upper) with two 544378
154759	Feed Lifting Rock Shaft Crank Connecting Rod Hinge Screw	410583	Shuttle Race Cap
154751	Oscillating Rock Shaft Hinge Pin Set Screw	410584	Bell Crank
154781	Thread Take-up Spring Regulator Set Screw	410585	Bell Crank Spring
154755	Shuttle Race Cap Screw (2)	410586	Bell Crank Hinge Pin
154759	Bed Slide Spring Screw (2)	410587	Rock Shaft Complete
154854	Bed Slide Spring	410590	Rock Shaft Lifting Arm with 544167-003, 544311 and 504105
154981	Crank Connecting Rod Hinge Screw Nut	410593	Oscillating Shaft Crank Slide Block
154981	Feed Connecting Link Hinge Screw Nut	410606	Shuttle Race and Shuttle Body Complete, Nos. 12393 and 410562
154981	Feed Forked Connection Hinge Screw Nut	410657	Bobbin Winder Latch with 544211-053
154981	Feed Lifting Rock Shaft Crank Connecting Rod Hinge Screw Nut	410660	Feed Lifting Rock Shaft Crank with 505633 and 545043
408074	Bobbin Winder Bracket Regulating Plate Spring	410663	Shuttle Tension Spring
409213	Bobbin Winder Spindle Thread Guard Wave Washer	410664	Shuttle Bobbin Case Latch
410084	Bobbin Winder Latch Stud	410665	Shuttle Bobbin Case Latch Lever
410509	Arm Top Cover Complete, Nos. 15287-702, 408074, 409213, 410084, 410510, 410511, 410513, 410572-002, 410657, 410670, 543802-004, 544212-001, 544233, 546846, 546847, 546865 and 546895	410667	Shuttle Race, Shuttle Body and Shuttle Bobbin Case Complete, Nos. 410562 and 410606
410510	Arm Top Cover	410670	Bobbin Winder Spindle Thread Guard
410511	Bobbin Winder Bracket Complete	410671	Oscillating Rock Shaft Oil Pad, (felt)
410513	Bobbin Winder Stopper	410672	Face Plate Complete, Nos. 540618-451, 544782 and 544875
410514	Needle Bar (hollow)	410676	Needle Bar Bushing (lower) Thread Eyelet
410515	Needle Bar Bushing (lower)	504002	Arm Shaft Bushing (center) Set Screw
410516	Thread Take-up Complete, Nos. 52024, 143058, 410517, 410520, 410521, 410574, 504057 and 544881	504002	Arm Shaft Flanged Bushing (back) Set Screw
410517	Thread Take-up Lever Complete	504002	Arm Shaft Flanged Bushing (front) Set Screw
410520	Thread Take-up Lever Link Hinge Stud	504002	Thread Take-up Lever Link Hinge Stud Set Screw
410521	Needle Bar Connecting Link	504010-451	Thread Take-up Lever Guard Screw
410522	Tension Complete, Nos. 32758, 99691, 125314, 540672, 540684, 545404-451, 545493, 545898, 546927 and two 2102	504019	Feed Rock Shaft Crank Clamping Screw
410523	Arm Shaft	504047	Tension Stud Set Screw
410524	Needle Bar Crank with 504095 and 504101	504051	Feed Dog Screw (2)
410526	Arm Shaft Flanged Bushing (front)	504057	Needle Bar Connecting Link Cap Screw
410527	Arm Shaft Bushing (center)	504063	Presser Foot Screw
410526	Arm Shaft Flanged Bushing (back)	504068	Feed Bar Screw (center) (2)
410529	Machine Pulley with two 504119	504071	Feed Reverse Lever Link Clamping Screw
410531	Crank Connecting Rod with two 545059	504071	Feed Reverse Lever Spring Retainer Clamping Screw
410534	Oscillating Rock Shaft	504072	Feed Lifting Rock Shaft Screw Center (2)
410535	Oscillating Rock Shaft Hinge Pin with 543817-001	504074	Feed Regulating Dial Cap Screw
410537	Oscillating Shaft	504083	Presser Bar Guide and Pressure Regulating Thumb Screw
410538	Shuttle Driver with two 504101	504094	Thread Retainer Set Screw
410540	Oscillating Shaft Crank with 410542, 504502 and 504134	504095	Thread Take-up Crank Set Screw (long)
410542	Oscillating Shaft Crank Slide Block Complete, Nos. 410593, 543824-001 and 544313	504099	Arm Top Cover Screw (2)
410544	Feed and Feed Lifting Eccentric with two 545313	504100	Presser Bar Lifting Lever Connecting Rod Joint Hinge Screw
410546	Feed and Feed Lifting Eccentric Sleeve	504101	Shuttle Bobbin Case Latch (2)
410547	Feed Forked Connection Complete, Nos. 52165, 154759, 154981 and 410548	504101	Thread Take-up Crank Set Screw (short)
410548	Feed Forked Connection	504105	Rock Shaft Lifting Arm Set Screw
410549	Feed Rock Shaft Complete, Nos. 410550 and 505335	504105	Rock Shaft Stop Dog Set Screw
410550	Feed Rock Shaft		
410551	Feed Bar		
410552	Feed Lifting Rock Shaft Crank Connecting Rod with two 545059		
410554	Feed Lifting Rock Shaft Complete, Nos. 410555 and 410660		

From the library of: Diamond Needle Corp

AR

**NUMERICAL LIST OF PARTS FOR MACHINE 431D200A**

PART NO.	DESCRIPTION	PART NO.	DESCRIPTION
504113	Needle Clamp Screw	544233	Bobbin Winder Bracket Hinge Screw
504114	Needle Bar Thread Guard Screw	544247	Feed Regulating Stud
504119	Machine Pulley Set Screw (2)	544249	Presser Bar Lifting Lever Hinge Screw
504120	Needle Bar Crank Position Screw	544266	Feed Regulator Hinge Screw
504129	Needle Bar Bushing (lower) Set Screw	544310	Balance Weight Screw
504129	Needle Bar Bushing (upper) Set Screw	544311	Shuttle Race Gate Latch Hinge Screw (2)
504134	Oscillating Shaft Crank Set Screw	544312	Rock Shaft Lifting Arm Adjusting Screw
504159-452	Tension Thread Retainer Screw	544313	Oscillating Shaft Crank Slide Block Screw Stud
504502	Feed Bar Screw Center Nut (2)	544368	Arm Screw (front) (2)
504504	Feed Lifting Rock Shaft Screw Center Nut (2)	544378	Shuttle Race Gate Screw (2)
504504	Feed Rock Shaft Screw Center Nut (2)	544782	Face plate plug (small)
504509	Presser Bar Lifting Lever Connecting Rod lock Nut	544875	Face plate plug (large)
505001	Arm Dowel Pin (2)	544881	Needle Bar Connecting Stud with 549380
505008	Arm Spool Pin Washer (felt)	544939	Feed Reverse Lever with 545094 and 549084
505151	Tension Releasing Lever Hinge Pin	544944	Feed Reverse Lever Hings Stud Flanged Bushing
505152	Tension Releasing Lever Spring	544946	Feed Regulating Dial
505317-452	Bed Slide Complete, Nos. 12431-452, 154884 and two 154789	544947	Feed Regulating Dial Serration Plate
505335	Feed Rock Shaft Crank with 504019	544948	Presser Bar Guide Bracket with 545099
505356	Shuttle Bobbin Case Latch Spring	544950	Tension Thread Retainer
505387	Presser Bar Lifting Lever Connecting Rod Joint	544980	Tension Releasing Lever
505407	Feed Bar Screw Center 504068 with 504502 (2)	545040	Face Plate Screw (upper)
505408	Feed Lifting Rock Shaft Screw Center 504072 with 504504 (2)	545043	Feed Lifting Rock Shaft Crank Clamping Screw
505408	Feed Rock Shaft Screw Center 504072 with 504504 (2)	545047	Feed Reverse Lever Hinge Stud Cap Screw
505575	Presser Bar Spring	545053	Presser Bar Lifter Hinge Screw
505633	Feed Lifting Rock Shaft Crank Slide Block and Stud	545059	Crank Connecting Rod Cap Screw (2)
505638	Needle Clamp with 504113	545059	Feed Lifting Rock Shaft Crank Connecting Rod Cap Screw (2)
540435	Feed Regulating Dial Lock Pin	545094	Feed Reverse Lever Set Screw
540549	Thread Guard (side of arm)	545099	Presser Bar Guide Bracket Clamping Screw
540618-451	Face Plate	545136	Feed Connecting Link Hings Stud Set Screw
540670	Presser Bar Lifting Lever Link	545313	Feed and Feed Lifting Eccentric Set Screw (2)
540672	Tension Releasing Disc	545404-451	Tension Regulating Thumb Nut Lock Nut
540684	Tension Releasing Pin	545493	Tension Regulating Thumb Nut
540703	Needle Bar Bushing (upper) Felt	545796	Feed Connecting Link Stud
541167-003	Rock Shaft Lifting Arm Adjusting Screw Lock Nut	545820	Feed Regulating Dial Lock Pin Spring
541170	Bobbin Winder Tension Nut	545832	Feed Reverse Lever Link with 504071
541985	Presser Bar	545841	Needle Bar Bushing (upper)
543419	Presser Foot (spring hinged) Complete	545868	Presser Bar Lifter
543802-004	Bobbin Winder Spindle Thread Guard Retaining Ring	545898	Tension Stud
543805-005	Balance weight Screw Washer	545901	Thread Eyelet (side of arm)
543811-003	Thread Take-up Lever Oil Pipe	545922	Rock Shaft Stop Dog with 504105
543811-005	Feed Forked Connection Oil Pipe	546843	Bobbin Winder Spring Pin
543811-005	Thread Take-up Lever Link Oil Pipe	546844	Bobbin Winder Spindle Washer (2)
543811-007	Arm Shaft Bushing (center) Oil Pipe	546846	Bobbin Winder Bracket Regulating Plate
543811-007	Arm Shaft Flanged Bushing (front) Oil Pipe	546847	Bobbin Winder Bracket Sping
543811-008	Thread Take-up Crank Oil Pipe	546865	Bobbin Winder Regulator with 544213-002
543817-001	Oscillating Rock Shaft Hinge Pin Oil Wick	546895	Bobbin Winder Bracket Regulating Plate Spring Stud
543817-001	Thread Take-up Lever Oil Pipe Wick	546927	Thread Take-up Spring Regulator with 504047
543817-002	Feed Forked Connection Oil Pipe Wick	547242	Bobbin Winder Tension Complete, Nos. 541170, 547243, 547246 and two 547247
543817-002	Thread Take-up Lever Link Oil Pipe Wick	547243	Bobbin Winder Tension Stud Complete
543817-003	Arm Shaft Bushing (center) Oil Pipe Wick	547246	Bobbin Winder Tension Spring
543817-003	Arm Shaft Flanged Bushing (front) Oil Pipe Wick	547247	Bobbin Winder Tension Disc (2)
543817-004	Thread Take-up Crank Oil Pipe Wick	548170	Oscillating Shaft Crank Pin
543824-001	Oscillating Shaft Crank Slide Block Ring	549028	Shuttle Race Set Screw
544054	Arm Screw (back) (2)	549084	Feed Reverse Lever Set Screw
544066	Face Plate Screw (lower) (2)	549128	Thread Eyelet (side of arm) Screw
544203-001	Bobbin Winder Tension Set Screw	549336	Thread Guard (side of arm) Screw
544211-053	Bobbin Winder Latch Screw	549380	Needle Bar Connecting Stud Clamping Screw
544212-001	Bobbin Winder Stopper Screw	CAT. 2055	Needle (16 x 87 # 16)
544213-002	Bobbin Winder Regulator Set Screw		

From the library of: Diamond Needle Corp

**NUMERICAL LIST OF PARTS FOR MACHINE 431D200A**

PART NO.	DESCRIPTION	PART NO.	DESCRIPTION
<b>PARTS FOR 431D201A MACHINE WHICH DIFFER FROM 431D200A MACHINE</b>			
987	Roller Arm Bracket Screw	505656-001	Thread Unwinder (for two spools) (Complete (include three wood screws)
12438-452	Throat Plate	540522	Machine Hinge Connection (2)
16580	Roller Presser Complete	540523	Machine Hinge Connection Cushion (2)
19443	Roller Arm Bracket Position Collar	541515-001	Cloth Guide
19444	Roller Arm Bracket Spring	546923	Oiler with Oil Spout (130cc filled with Singer Type "B" Oil)
19445	Roller Arm Bracket Spring Pin	CAT. 2055	Needle (16 x 87 #16) (for 431D200A) (2)
19446	Roller Arm Bracket Spring Stud	CAT. 2055	Needle (16 x 87 #18) (for 431D200A) (2)
24445	Roller Arm Bracket Screw Complete, Nos. 987 19444, 19445 and 19446	CAT. 2055	Needle (16 x 87 #19) (for 431D200A) (2)
		CAT. 2220	Needle (16 x 6 #10) (for 431D201A) (6)
44006	Oil Cup Packing	<b>KNEE LIFTER PARTS</b>	
149436	Feed Dog	410592	Rock Shaft Knee Arm Joint Complete, Nos. 410594, 410595, 504105 and 544212-051
410539	Presser Bar	410594	Rock Shaft Knee Arm Joint
410599	Presser Bar and Roller Presser Complete, Nos. 15680 and 410600	410595	Rock Shaft Knee Arm Joint Spring
410600	Presser Bar Complete, Nos. 19443, 24445, 410539, 410601, 504063 and 504129	410597	Rock Shaft Knee Arm Complete, Nos. 410598 and 505402
410601	Roller Arm Bracket	410598	Rock Shaft Knee Arm
410604	Oscillating Shaft Crank with 154981, 410542 and 504134, in place of 410540	504105	Rock Shaft Knee Arm Set Screw
410607	Shuttle Race and Shuttle Body Complete, Nos. 12393 and 410609, in place of 410606	504105	Rock Shaft Knee Plate Set Screw
410609	Shuttle Race Complete, Nos. 410581 and 410611	505402	Rock Shaft Knee Plate with 504105
410611	Shuttle Race Body Complete, Nos. 410578, 410579, 410580, 410613 and two each 154785 and 544311	544212-051	Rock Shaft Knee Arm Joint Spring Screw
410613	Shuttle Race Cap	6338	Rock Shaft Lifting Bracket Hook
410615	Oil Cup and Oil Cup Packing Complete, Nos. 44006 and 410616	32618	Clamp Stop Motion Flanged Bushing
410616	Oil Cup Complete	154756	Clamp Stop Motion Clamp Stop Screw
504129	Roller Arm Bracket Position Collar Set Screw	410653	Foot Lifter Treadle
CAT. 2220	Needle (16 x 6 #10)	410654	Foot Lifter Treadle Guide Complete (2)
		410655	Foot Lifter Chain
		410656	Machine Pulley
<b>ACCESSORIES AND ATTACHMENTS</b>			
2996	Shuttle Bobbin (2)	504005-451	Clamp Stop Motion Clamp Screw
41400	Machine Rest Pin (wood)	504067	Clamp Stop Motion Flanged Bushing Set Screw
161294-451	Screw Driver (large)	504105	Rock Shaft Lifting Bracket Hook Set Screw
161295-451	Screw Driver (small)	504105	Rock Shaft Lifting Bracket Set Screw
410569	Drip Pan (with four wire neils)	505009	Clamp Stop Motion Clamp Washer
410570	Machine Rest (front) (2)	505404	Rock Shaft Lifting Bracket
410571	Machine Rest (back)(with two wire neils) (2)	540796	Needle Guard (for 431D200A)
504030	Cloth Guide Screw	544877-452	Belt Guard Complete (include two wood screws)
		547833	Rock Shaft Lifting Bracket Complete, Nos. 6338, 505404 and two 504105